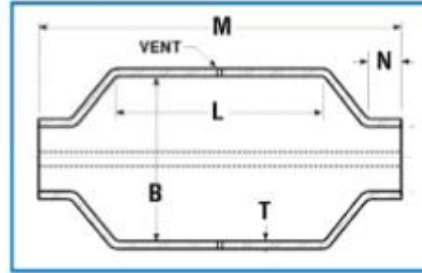


Style 220 Reinforcing Sleeve



Similar in design to the Style 110, **Dresser Style 220 Reinforcing Sleeves** encompass a "pumpkin" sleeve design and are commonly used to repair corrosion pits and stress cracks while offering a permanent reinforcement over couplings, flanges, valves or mechanical and screw collar joints. The Style 220 also provides a means of being "double sure" of safety against pipe-end pullout when used to reinforce pipelines on high pressure piping systems.

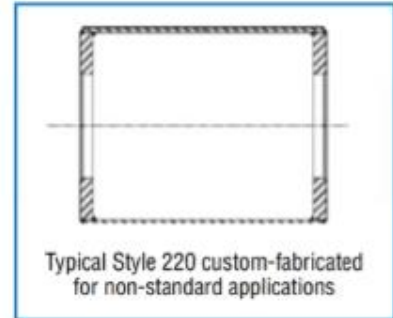
The steel construction properties of the Style 220 sleeve lends itself to field welding without preheating, using ordinary field welding procedures. All sleeves are factory prepared with standard welding bevel, machine flame cut for uniformity and ease of welding, and come with a drilled vent hole to preclude pressure build up between sleeve and pipe.



Built to rigid Dresser specifications, Style 220 sleeves have a minimum yield strength of 50,000 psi and an ultimate strength of 70,000 psi. Style 220 sleeves are supplied in all sizes, lengths and thicknesses as shown in charts. Larger sizes and lengths available upon request.

Style 220 Reinforcing Sleeve Sizes and Specifications for 2" thru 26" (With vent)

Nom. Pipe Size	ID "A" & Pipe OD	Inside Diam. "B"	Inside Length "L"	Outlet Dimen. "N"	Overall Length "M"	Thickness "T"	Approx. Shipping Wt. (lbs.)
2*	2-3/8	8-3/8	10-1/2	1-1/4	23-1/4	5/16	45
3*	3-1/2	9-1/2	10-1/2	1-1/4	23-1/4	5/16	49
4	4-1/2	10-1/2	10	2	20-1/4	5/16	54
6	6-5/8	12-5/8	13-1/2	1-3/8	21-3/4	3/8	96
8	8-5/8	14-5/8	13-1/3	1-3/8	21-3/4	3/8	112
10	10-3/4	16-3/4	13-1/2	1-3/8	21-3/4	3/8 or 1/2	128/175
12	12-3/4	18-3/4	13-1/2	1-3/8	21-3/4	3/8 or 1/2	150/198
14	14	20	13-1/2	1-3/8	21-3/4	3/8 or 1/2	160/215
16	16	22	13-1/2	1-3/8	21-3/4	3/8 or 1/2	176/240
18	18	24	13-1/2	1-3/8	21-3/4	3/8 or 1/2	195/260
20	20	26	13-1/2	1-3/8	21-3/4	3/8 or 1/2	216/288
22	22	28	13-1/2	1-3/8	21-3/4	3/8 or 1/2	230/307
24	24	30	13-1/2	1-3/8	21-3/4	3/8 or 1/2	248/330
26	26	32	13-1/2	1-3/8	21-3/4	3/8 or 1/2	315/350



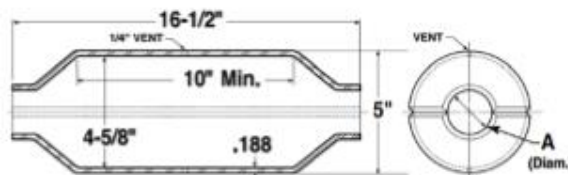
Materials of Construction
Body: High strength, low carbon steel meeting ASTM A572 GR 50/ ASTM A588
Yield Strength: 50,000 PSI Min.
Temp. Ratings: -20° to +150°F

* 2" and 3" sizes have minimum yield strength of 35,000 psi.

NOTE: Larger diameters available upon request. Please consult factory with your particular application requirements.

Style 220-S Small Diameter Reinforcing Sleeves

The **Dresser Style 220-S** is a small diameter weld-over sleeve for reinforcing threaded collars, welded joints or compression couplings on pipe sizes from 3/4" I.D. through 2" I.D. sizes. The sleeves meet ASTM-A513, GR1015 specs, and have a yield strength of 35,000 PSI, and an ultimate strength of 48,000 PSI. Style 220-S sleeves are rated at 350 PSI working pressure. Style 220-S sleeves are furnished in matched halves and all longitudinal edges are factory bevelled for welding. A drilled vent hole precludes pressure buildup between sleeve and pipe during welding.



Pipe Size (O.D.)	Nom. Size	Diameter (A)
1.050	3/4"	1-1/8"
1.315	1"	1-3/8"
1.660	1-1/4"	1-3/4"
1.990	1-1/2"	2"
2.375	2"	2-7/16"